



## LIGHT - price list 2018



Tarasola Light is a modern product created especially for the medium and big terraces. Its characteristic feature is thrift in case of joining with simultaneous preservation of durability and stability of the construction. Gutter strips are not visible when the canopy-fabric is folded. Rainwater flows freely into the front part of the roofing.

This construction is made of the extruded aluminium mouldings and has to be attached to the wall of the building. Thanks to the affixation of the rails and supporting mouldings, there emerges a modern and visually light product. Standard canopy is made of a Tech-protect fabric, which is a technical three-layer material produced especially for this kind of canopies. It is completely waterproof, overshadowing, protects the surface under the canopy from heating and UV. It is also equipped with a systemic canopy which protects the material when folded. It is possible to install some additional elements such as an integrated lighting and heat radiators. Tarasola Light is a product tailored especially for a demanding client—its aim is to protect all users from sun and rain.



## SPECIFICATION

The structure is made of extruded aluminum  
 Control of the electric motor as standard  
 Techprotect roof fabric in standard (extra charge as possibility for exchange for another type of material)  
 Possibility of powder coating in any RAL colour  
 Available in wall mounted  
 Modular connection option  
 3rd class of wind resistance  
 Additional support profile between runners after 450 cm of outreach  
 Possibility of installing a systemic roof over folded fabric  
 Option of selecting additional equipment:

- lighting
- radiant heaters
- wind, solar and rain sensors



## COLOURS

### CONSTRUCTION



9010ST  
Cream-white colour  
similar to RAL9010  
(in standard)



7016ST  
Anthracite metallic colour  
similar to RAL 7016  
(in standard)



1013  
Cream colour similar  
to RAL1013  
(in standard)

### ADDITIONAL



Any RAL colour  
(surcharge) + 10%



Wood-like varnish  
(surcharge) + 20%

### WINDPROOF BEAMS



9016  
white colour  
(in standard)



1013  
Cream colour  
(in standard)

### ADDITIONAL



Any RAL colour  
(surcharge) + 5%



Lighting LED points



Radiant heaters

## FABRICS

Techprotect (in standard)  
 EXPANSION 1 (surcharge)  
 SUNWORKER CRISTAL (surcharge)  
 SOLTIS W 96 (surcharge)

## FABRICS STANDARD COLOURS



white/ white



champagne/ champagne



grey/ champagne



crimson/ champagne



anthracite/ champagne



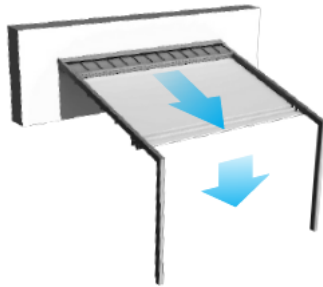
green/ champagne

## SYSTEMIC ROOF - integrated fabric cover

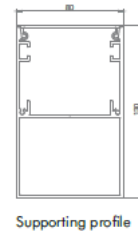
Machinery Directive 2006/42 / WE. Regulation on construction products CPR / 305/2011 demonstrating that the harmonized standards and / or technical documentation listed below have been applied:  
 PN - EN 13561 + A.1: 2009 - EXTERNAL CURTAINS - operational requirements including safety;  
 PN - EN 1932: 2013 - 09 - EXTERNAL CURTAINS AND BLINDS AND RESISTANCE TO WIND LOADS - TEST METHODS



**WATER DRAINAGE**

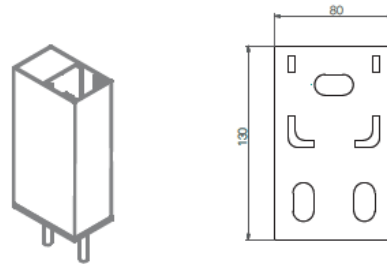


**PROFILE CROSS-SECTION**

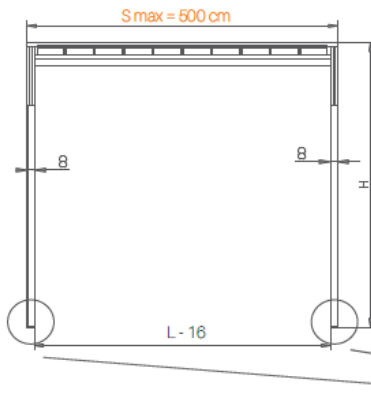


Supporting profile

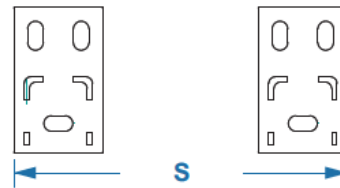
**FOOT SUPPORT DETAIL**



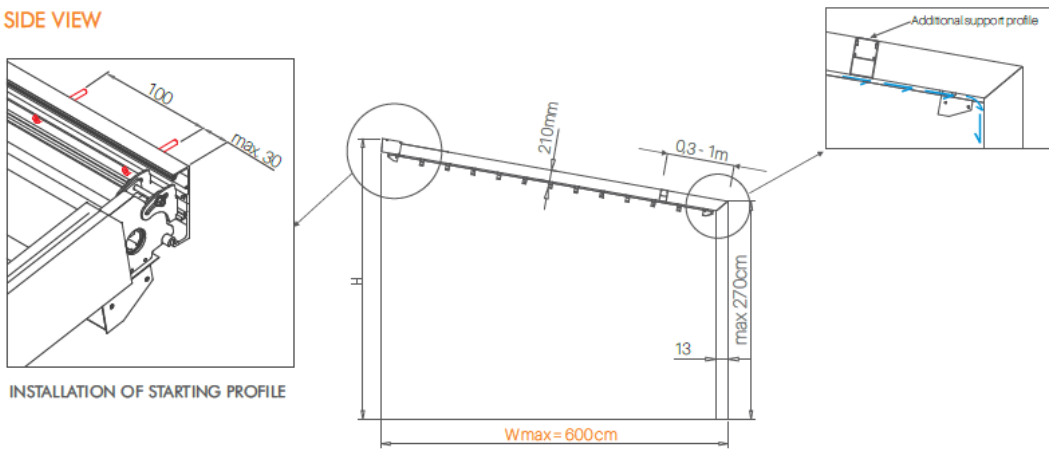
**FRONT VIEW**



**SPACING FEET**



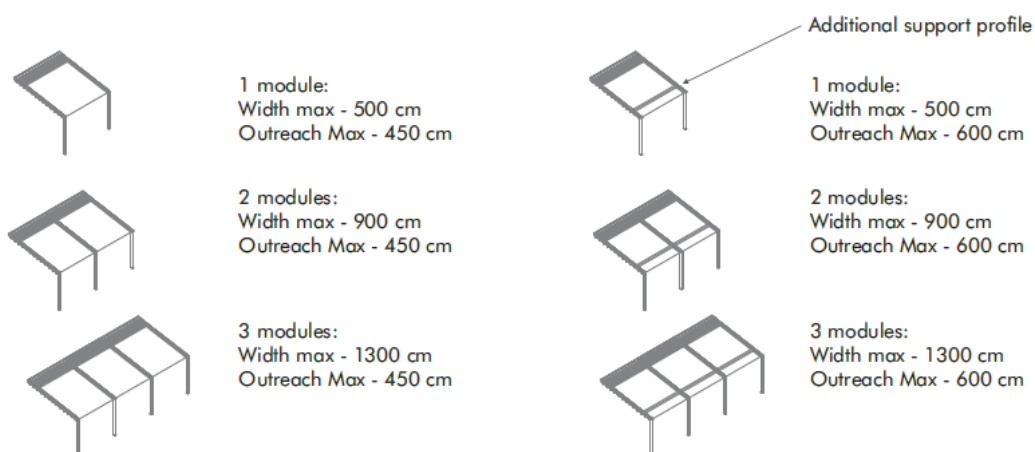
**SIDE VIEW**



INSTALLATION OF STARTING PROFILE



## MODULARITY



\*Runner - always in the axis of the leg

## FABRIC PACKAGE

Tables with package calculations and its cover

P [cm]	b[cm]	l [pcs]	hp [cm]
Construction outreach	Systemic roof outreach	Quantity of windproof beams	Height of the folded fabric package (±5cm)
200	47	4	45
250	53	5	45
300	59	6	46
350	65	7	46
400	71	8	47
450	77	9	47
500	83	10	48
550	89	11	49
600	95	12	50

Package height it depends on the distance between windproof beams.

On request, we can change distance between windproof beams, while reducing the package height.

S [%]	L [cm]
Minimum Slope	The maximum spacing of runners
6-7	200
7-8	200-250
8-10	250-300
10-12	300-350
12-14	350-400
14-16	400-450
	450-500