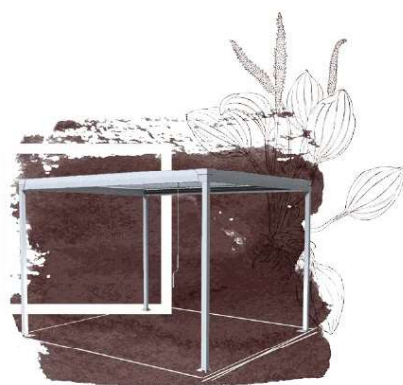
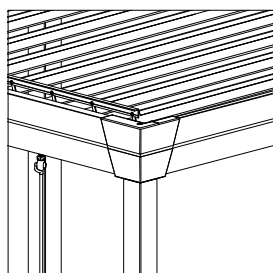


ETERIA



ETERIA FEATURES



Eteria is a bioclimatic pergola fitted with aluminium blades that can be oriented up to 120° using a manual control to adjust light.

Blades are flat to allow the best linearity with the frame. Available in modules measuring 3,5 x 3,95 metres, Eteria can be either self-standing or attached to a wall.

Both versions can be coupled either on the span or on the pivot.

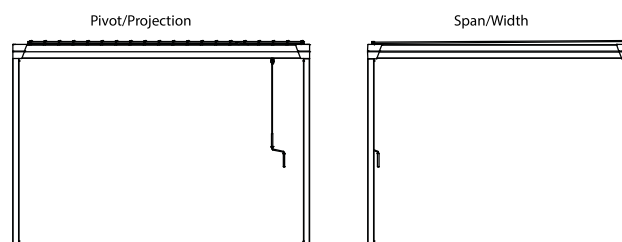
A choice of two colors, Anthracite and Structural White, create a minimalist aesthetic with an enticing effect especially in the bi-colored version. When the louvers are fully closed, Eteria is resistant to normal water flows, which is eliminated through eaves integrated into the beams and columns.

The direction in which the louvers open can be decided when making the order. This allows the choice for either greater protection from the sun or for maximum brightness in the space below according to climatic requirements or personal taste.

Available colors:

- RAL 9010 White texture
- Anthracite
- Bicolor (White and Anthracite)

- Rotatable louvres (120°) which protect against sun and rain
- Completely flat roof in closed position
- Simple manual operation, no need for electricity
- Standard integral gutter through which water is drained from the louvres to the columns: the drainage column can be selected
- Easy installation
- Freestanding, wall-mounted pivot, wall-mounted span
- Modules can be connected (thanks to optional finishing profiles)
- Standard configurations of various mounting possibilities and with 1 or 2 (connected) modules



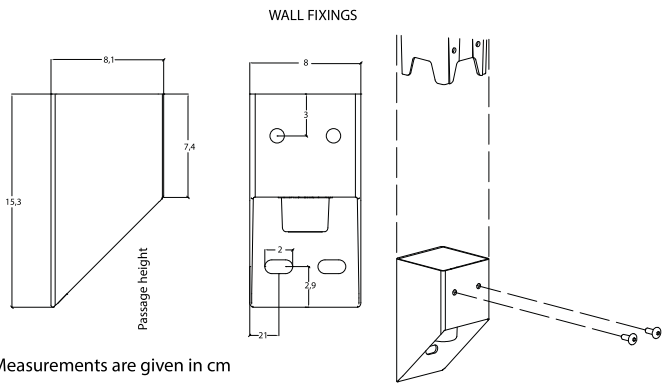
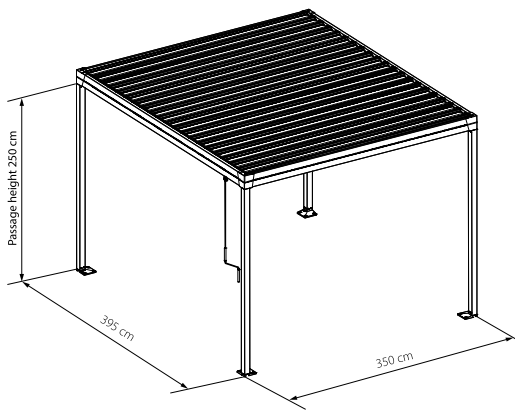
Dimensions cm

| | Height | Width | Projection |
|--------|--------|-------|------------|
| Eteria | 250 | 350 | 395 |

ETERIA

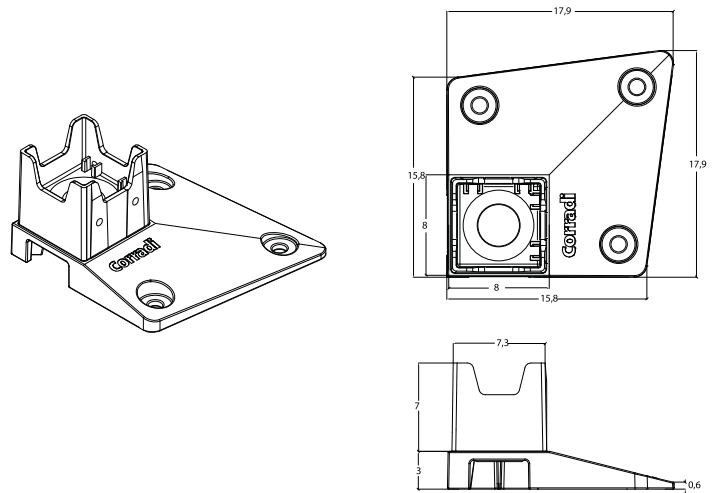
| Wind resistance class (UNI EN 13561:2015) | |
|--|-------------|
| Closed blades | Open blades |
| 6 | 3 |

ETERIA GENERAL DRAWINGS

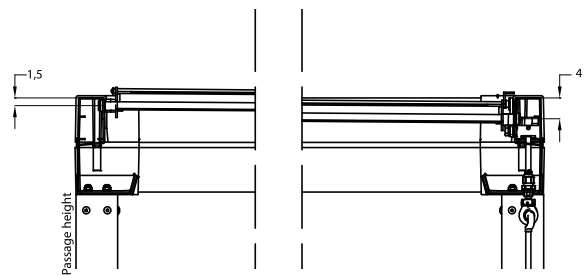


Measurements are given in cm
54 | CORRADI BIOCLIMATICS

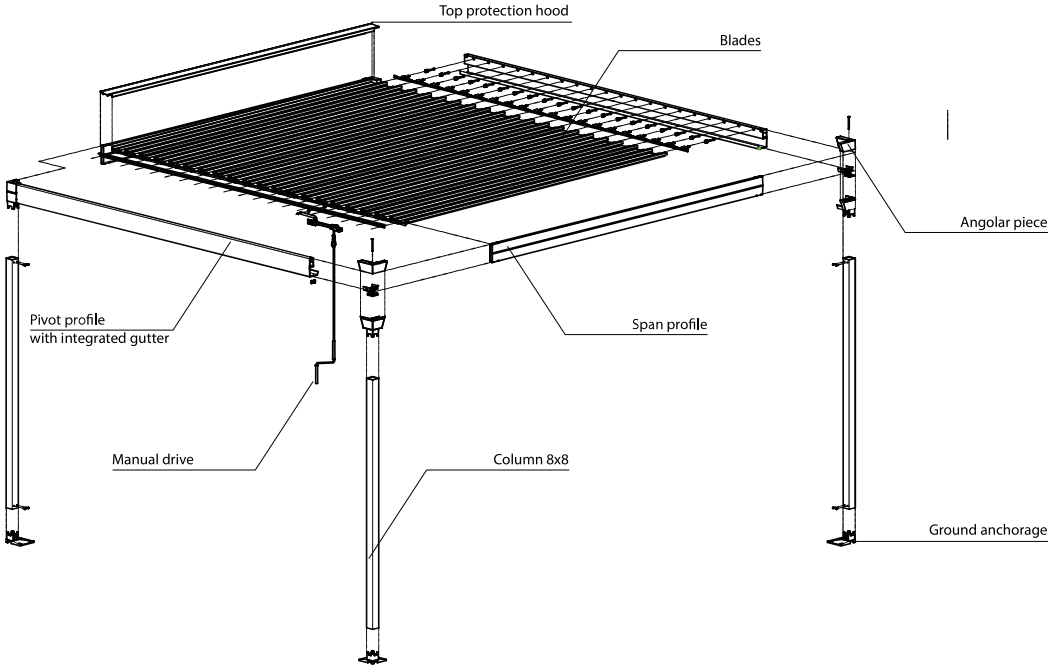
GROUND ANCHORAGE WATER DRAINAGE



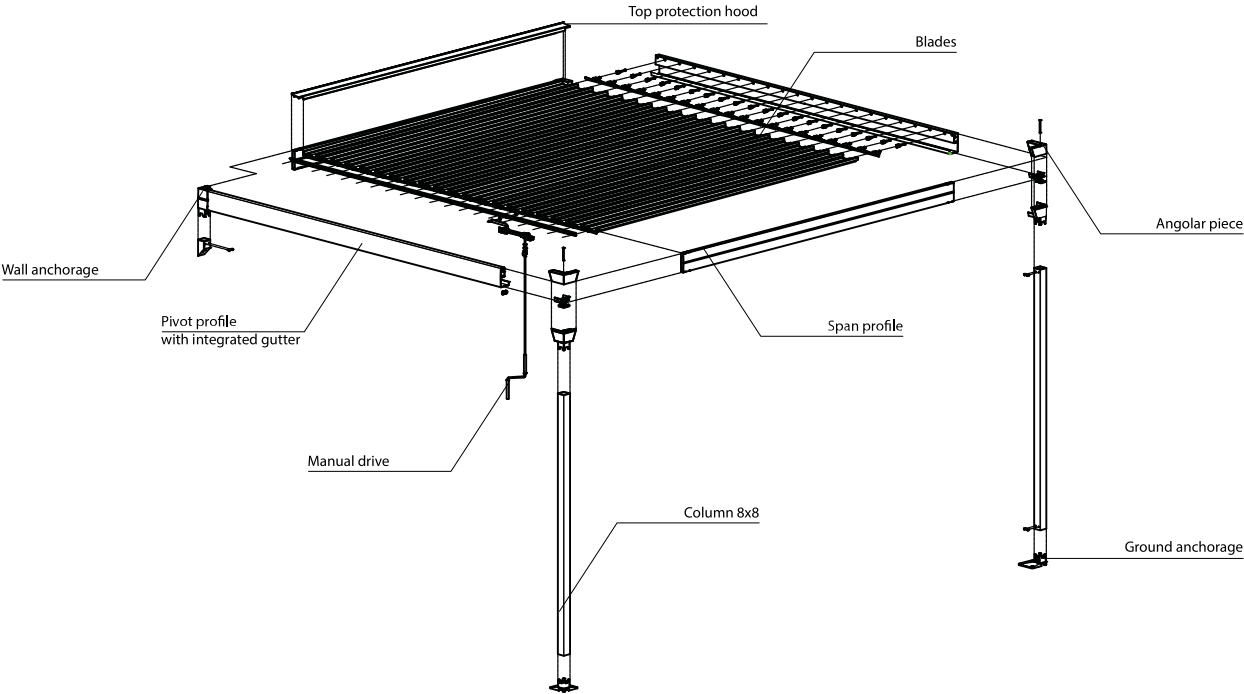
SPAN SECTION OF BLADES AND GUTTER



ETERIA FREESTANDING

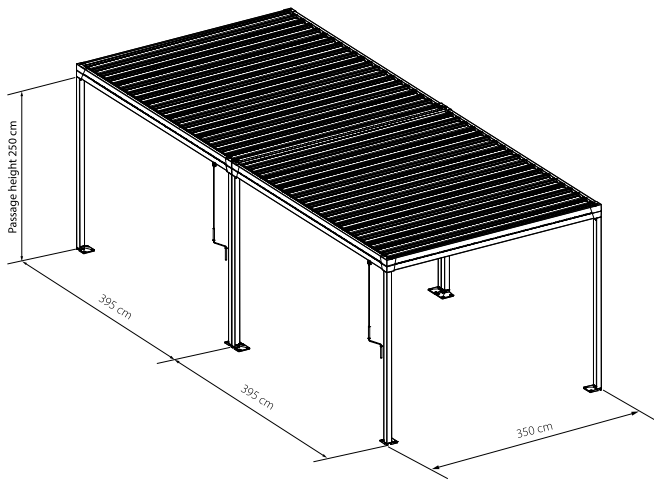


ETERIA WALL MOUNTED

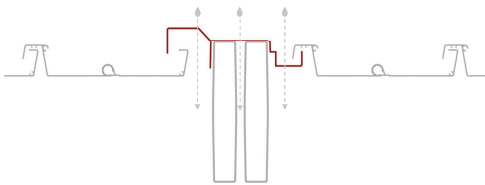


ETERIA DOUBLE MODULE

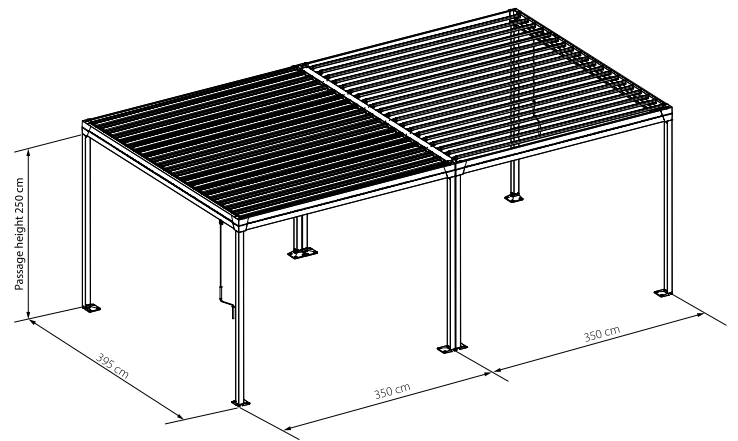
DOUBLE MODULE - CONNECTED TO THE SPAN



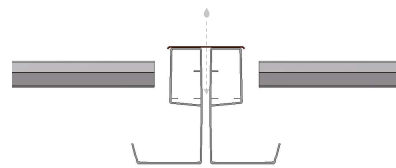
SECTION - JOINING PROFILE



DOUBLE MODULE - CONNECTED TO THE PIVOT



SECTION - JOINING PROFILE

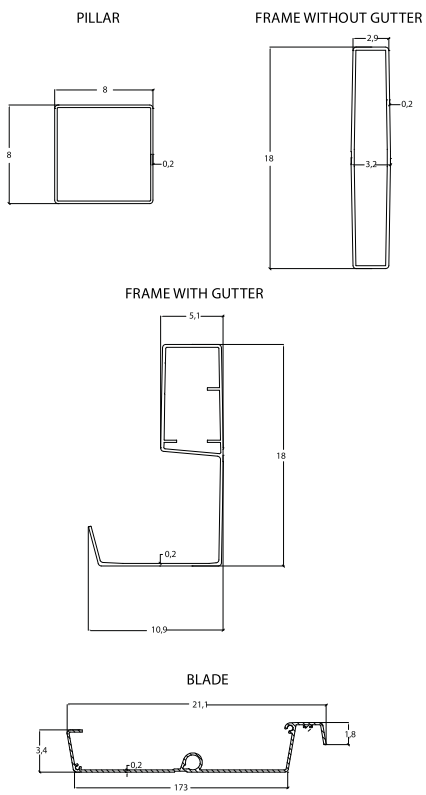


PRICES ARE IN EUROS

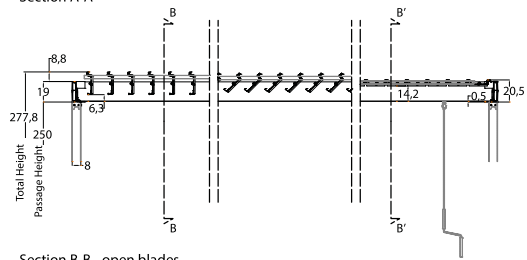
CORRADI BIOCLIMATICS

ETERIA DIMENSIONS

PROFILE SECTION



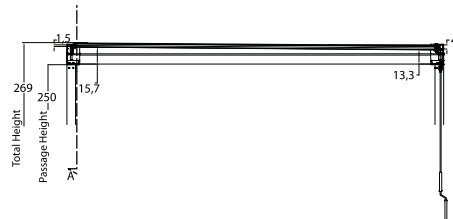
Section A-A



Section B-B - open blades



Section B'-B' - closed blades



Measurements are given in cm

