



SIMPLE - Price list 2018



Tarasola Simple might be considered a compromise between the price and an interesting design. It looks nice in a modern as well as traditional surrounding. It is dedicated especially for the little private investments. Simple terrace canopy can be managed manually or with an electrical drive. It is available only in the back-to-wall version. All the aluminium mouldings of the product—rails and supporting feet—have been reduced in size in order to make the construction minimalistic.

A shed roof enables the rain water to flow freely to the front part of the canopy, where the guttering system is placed. Seemingly modest Tarasla Simple is a pergola of many possibilities. The product is adjusted to having spotlights, blinds and heat radiators installed. It transforms a space into a relax and chill-out zone without fear of the changing weather conditions.



SPECIFICATION

- The structure is made of extruded aluminum
- Manual control (in standard)
- Electric motor control (surcharge)
- Water drainage system as standard
- Techprotect roof fabric in standard (extra charge as possibility for exchange for another type of material)
- Possibility of powder coating in any RAL colour
- Available in wall mounted
- Modular connection option
- 3rd class of wind resistance
- Options of selecting additional equipment:
 - lighting
 - screener blinds
 - radiant heaters



COLOURS

CONSTRUCTION



9010ST
Cream-white colour
similar to RAL9010
(in standard)



7016ST
Anthracite metallic colour
similar to RAL 7016
(in standard)



Any RAL colour
(surcharge) + 10%



Wood-like varnish
(surcharge) + 20%

ADDITIONAL

WINDPROOF BEAMS



9016
white colour
(in standard)



1013
Cream colour
(in standard)

ADDITIONAL



Any RAL colour
(surcharge) + 5%

FABRICS

Techprotect (in standard)

EXPANSION 1 (surcharge)

SUNWORKER CRISTAL (surcharge)

SOLTIS W96 (surcharge)

FABRICS STANDARD COLOURS



white/white



champagne/ champagne



grey/ champagne



crimson/ champagne



anthracite/ champagne



green/ champagne



Lighting - LED strip
integrated with the gutter



Screener blinds



Lighting LED points

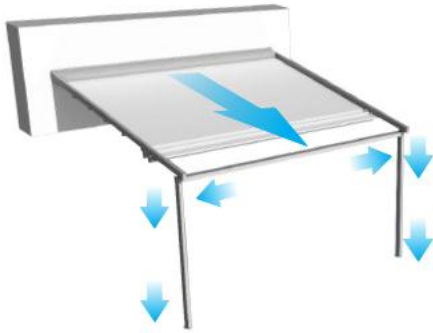


Radiant heaters

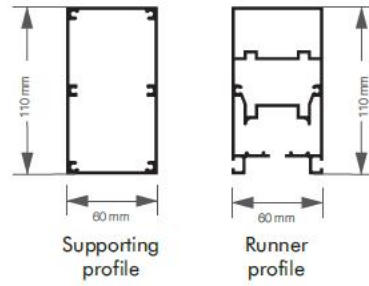
Machinery Directive 2006/42 / WE. Regulation on construction products CPR / 305/2011 demonstrating that the harmonized standards and / or technical documentation listed below have been applied:
PN - EN 13561 + A.1: 2009 - EXTERNAL CURTAINS - operational requirements including safety;
PN - EN 1932: 2013 - 09 - EXTERNAL CURTAINS AND BLINDS AND RESISTANCE TO WIND LOADS - TEST METHODS



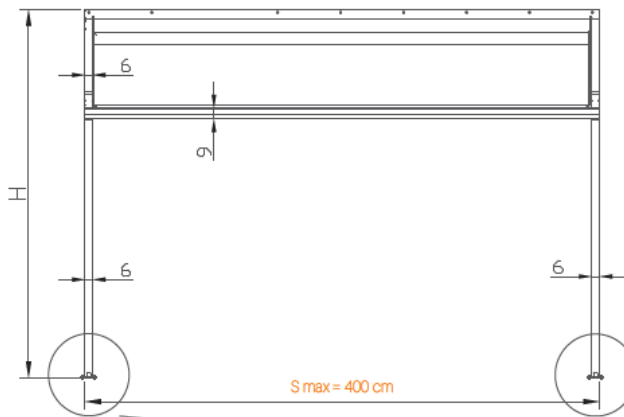
WATER DRAINAGE



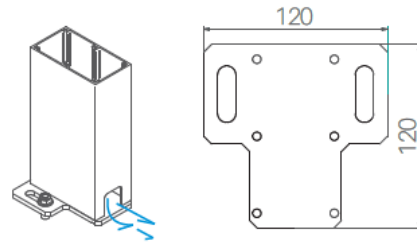
PROFILE CROSS-SECTIONS



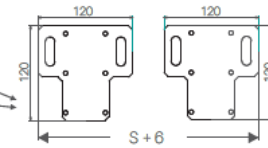
FRONT VIEW



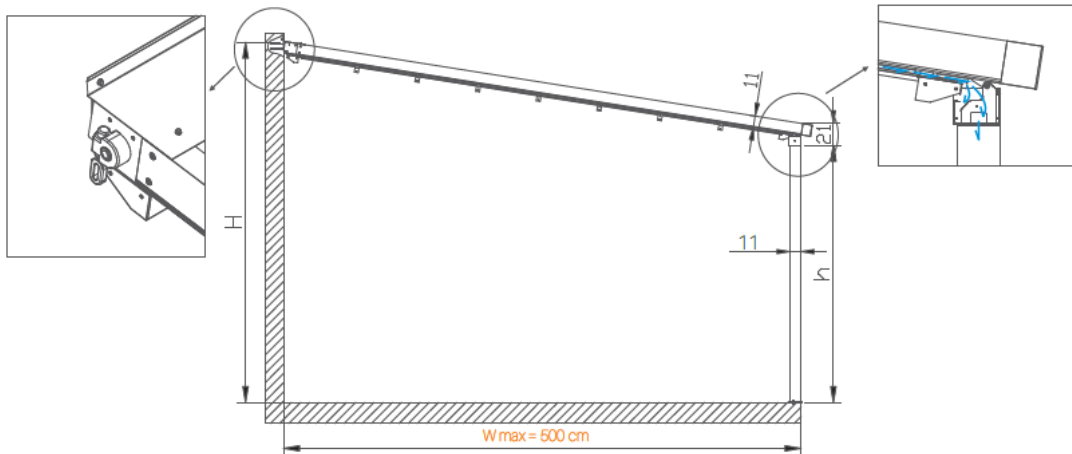
WATER DRAINAGE



SPACING FEET

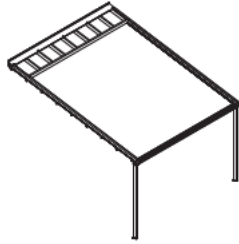


SIDE VIEW

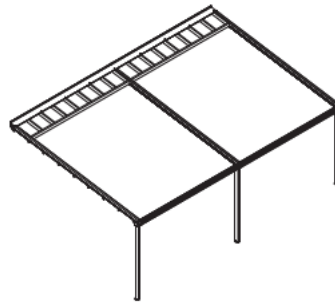




MODULARITY



1 module:
Width Max - 400 cm
Outreach Max - 500 cm

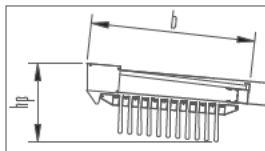


2 modules:
Width Max - 700 cm
Outreach Max - 500 cm

*Runner - always in the axis of the leg

MATERIAL PACKAGE

Tables with calculations package and its cover



P [cm]	b[cm]	I [it]	hp [cm]
Construction outreach	Systemic roof outreach	Quantity of windproof beams	Package height after folded (±5cm)
200	53	4	45
250	59	5	45
300	65	6	46
350	71	7	46
400	77	8	47
450	83	9	47
500	89	10	48

Package height it depends on the distance between windproof beams.
On request, we can change distance between windproof beams, while reducing the package height.

S [%]	L [cm]
Minimum Slope	The maximum spacing of runners
6-7	200
7-8	200-250
8-10	250-300
10-12	300-350
12-14	350-400

The method of calculation the roof slope and the dependence of the spacing runners.